



RoHS Compliant

CT1101V

Right Angle Tactile

Specifications

Electrical Ratings	50mA @ 50VDC
Electrical Life	100,000 cycles typical
Contact Resistance	<50mΩ initial
Actuation Force	180 ± 50gF, 260 ± 50gF
Actuation Travel	.25 ± .1mm

Dielectric Strength	250Vrms min
Insulation Resistance	>100MΩ min
Operating Temperature	-40°C to 85°C
Storage Temperature	-55°C to 85°C

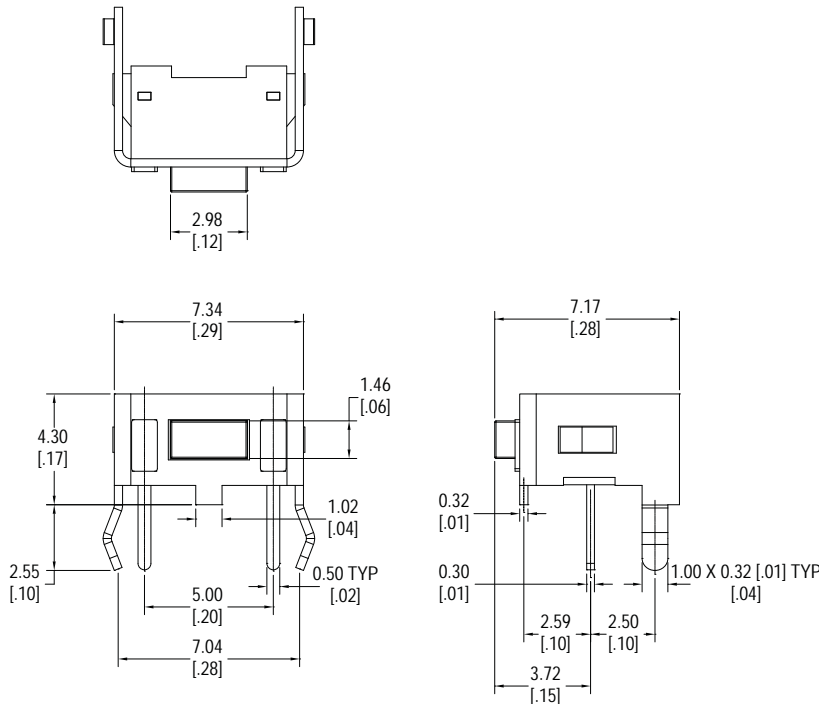
Materials

Actuator	6/6 Nylon
Housing	6/6 Nylon
Cover	Stainless Steel
Contacts	Stainless Steel, Silver Plated
Terminals	Copper Alloy, Silver Plated

Ordering Information

1. Series	CT1101V	3.72	F180
CT1101V			
2. Actuation Length	3.72 = 3.72mm		
3. Actuation Force	F180 = 180gF F260 = 260gF		

Dimensions



Schematic & PC Layout

